

Veneta Engineering s.r.l.
 37135 VERONA Via Lovanio 8/10
 Telefono 0458200948 telefax 0458201982
 www.venetaengineering.it

Organismo notificato di certificazione europea n. 0505
 Macchine - Ascensori - Recipienti sottoposti a pressione - Rumore
 Organismo d'ispezione di tipo "A" Impianti elettrici
Laboratorio di Prove

9101
VERIFICA
ATTREZZATURE
DALAVORO

Authorized by Ministero dello Sviluppo Economico on 15 Jan. 2008 pursuant to articles 10 & 11 part A of EEC Directive 89/686/EEC "PPE-Personal Protective Equipment", dated 01. Jan. 08 (G.U. no. 24 of 29 Jan. 08).

To:
HB SECURITY S.R.L.
VIA DELL ADIGE, 5
CORTACCIA BZ

39040

| | | | | |
|---|------------|-------|------------|------------------------------------|
| TEST REPORT No. | 296/EN VAR | date: | 03/04/2012 | ORIGINAL |
| Acceptance record no. | 79788 | date: | 27/02/12 | |
| TESTS ON ANCHOR DEVICES - PROTECTION AGAINST FALL A HEIGHT | | | | EN 795 |
| | | | | P9101 33-32-0-1-0 |

| | | | | | |
|-------------------|------------|------------------|----------|------------|--------|
| dates: | test start | 30/03/2012 | test end | 30/03/2012 | sample |
| samples delivered | | SAME-AS PRODUCTS | | | |

| | | |
|------------------------------|-----------------|------------------------------|
| REF. (as declared by client) | MARKET NAME | H-60 REVOLVING POSTS |
| | CHARACTERISTICS | RIGID ARTEFACT FOR TWO USERS |
| | SAMPLING SITE | |

| | | | |
|---|--|-----------|---|
| GENERAL DATA | DECLARED CLASS (POINT 4.3) | A1 | STRUCTURAL ANCHORS DESIGNED FOR FIXING TO VERTICAL, HORIZONTAL, INCLINED SURFACES |
| | FIXING BASE FIXED WITH 6 M12 BOLTS depth 30 mm | | |
| | OVERHANG FROM BASE mm 600 | | |
| | OVERHANG WITH FIXED SECTION | | |
| | LOAD APPLICABLE TO END RING | | |
| PROTOTYPE - standardized production not checked | | | |



inspections, measures and tests carried out (*)

| | | | | | |
|--|--|-------------------------------------|--------------------|---------------|--------------------|
| inspections | markings found on sample under inspection | | | | |
| tests | STATIC test | | point 5,2,1 | | TEST PASSED |
| | anchoring structure | reinforced concrete | | | |
| | applied force | kN | 10 | std value | 10,0 OK |
| | (FORCE APPLIED IN THE DIRECTION IN WHICH SAID FORCE CAN BE APPLIED DURING OPERATION) | | | | |
| | application time | min | 3 | minimum | 3 OK |
| | THE DEVICE | HOLDS | | THE LOAD | OK |
| | DYNAMIC test | | point 5,2,2 | | TEST PASSED |
| | anchoring structure | reinforced concrete | | | |
| | falling mass | kg | 100 | std value | 100,0 OK |
| | height of fall | mm | 2450 | min std value | 2450,0 OK |
| max std value | | | | 2550,0 OK | |
| (HORIZONTAL DISTANCE FROM THE ANCHORING POINT TO THE LOAD APPLICATION POINT MAX. 300 MM) | | | | | |
| THE MASS | HAS | BEEEN ARRESTED BY THE DEVICE | | OK | |

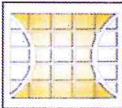
| | | | | |
|-------------------|------------------|---------------|-------------------|---------------|
| ANALYSIS OUTCOMES | STATIC LOAD TEST | PASSED | DYNAMIC LOAD TEST | PASSED |
|-------------------|------------------|---------------|-------------------|---------------|

THE OVERALL OUTCOME OF THE TESTS CONFIRMS THE DECLARED CLASS

| | | |
|-------|--------------------|--------------------|
| NOTES | NV = not evaluated | NC = not compliant |
|-------|--------------------|--------------------|

the experimenter
 Cardinetti ing. Angelo--

the head of laboratory
 dott.ing. Loris Turella



Veneta Engineering s.r.l.
 37135 VERONA Via Lovanio 8/10
 Telefono 0458200948 telefax 0458201982
 www.venetaengineering.it

Organismo notificato di certificazione europea n. 0505
 Macchine - Ascensori - Recipienti semplici a pressione - Rumore
 Organismo d'ispezione di tipo "A" impianti elettrici

9101
VERIFICA
ATTREZZATURE
DA LAVORO

PAG. 2
 DI PAG. 2

Laboratorio di Prove

Authorized by Ministero dello Sviluppo Economico on 15 Jan. 2008 pursuant to articles 10 & 11 part A of EEC Directive 89/686/EEC "PPE-Personal Protective Equipment" dated 01 Jan. 08 (G.U. no. 24 of 29 Jan. 08)

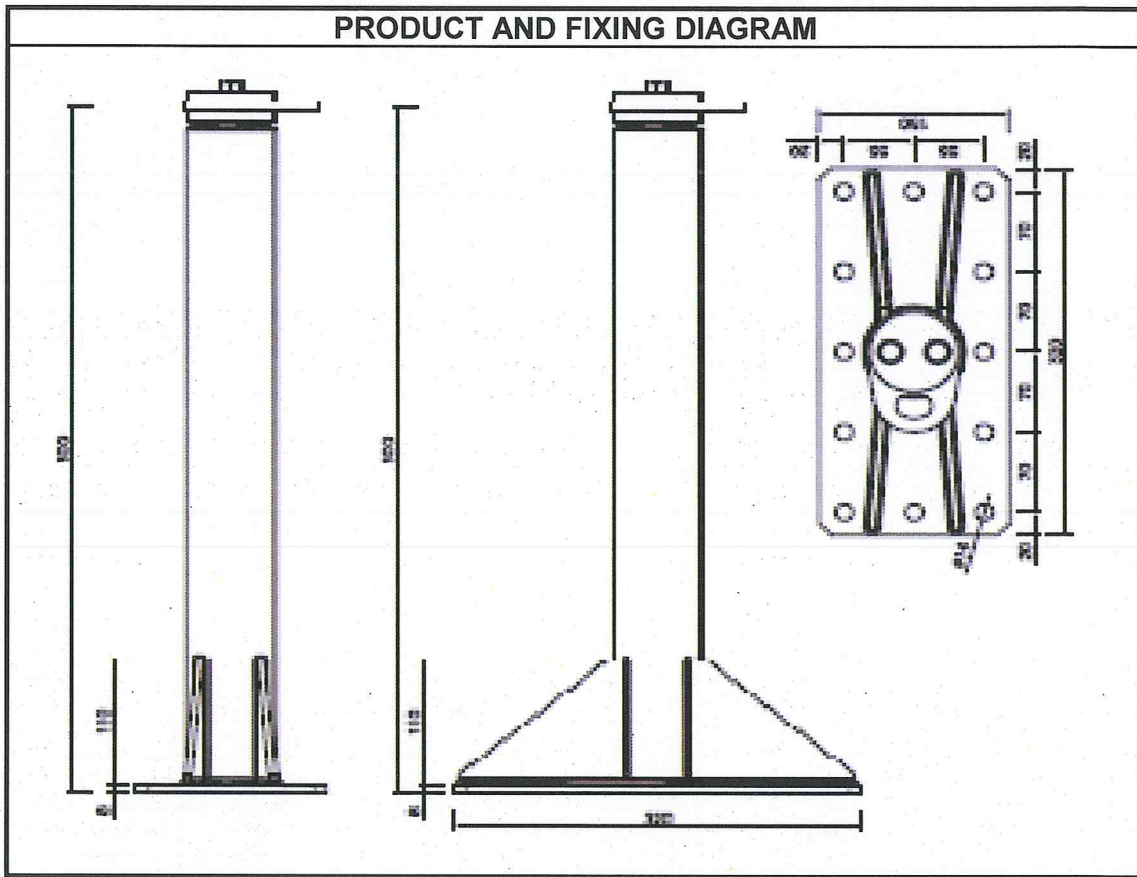
To:
HB SECURITY S.R.L.
VIA DELL ADIGE, 5
CORTACCIA BZ

39040

| | | | | |
|---|------------|-------|------------|-----------------------------|
| TEST REPORT No. | 296/EN VAR | date: | 03/04/2012 | ORIGINAL |
| Acceptance record no. | 79788 | date: | 27/02/12 | |
| TESTS ON ANCHOR DEVICES - PROTECTION AGAINST FALL A HEIGHT | | | | EN 795 P9101 33-32-0-1-0 |

| | | | | | |
|-------------------|------------|------------------|----------|------------|--------|
| dates: | test start | 30/03/2012 | test end | 30/03/2012 | sample |
| samples delivered | | SAME-AS PRODUCTS | | | |

| | | |
|------------------------------|-----------------|------------------------------|
| REF. (as declared by client) | MARKET NAME | H-60 REVOLVING POSTS |
| | CHARACTERISTICS | RIGID ARTEFACT FOR TWO USERS |
| | SAMPLING SITE | |



the experimenter
 Cardinetti ing. Angelo

Angelo Cardinetti

the head of laboratory
 dott.ing. Loris Turella

Loris Turella